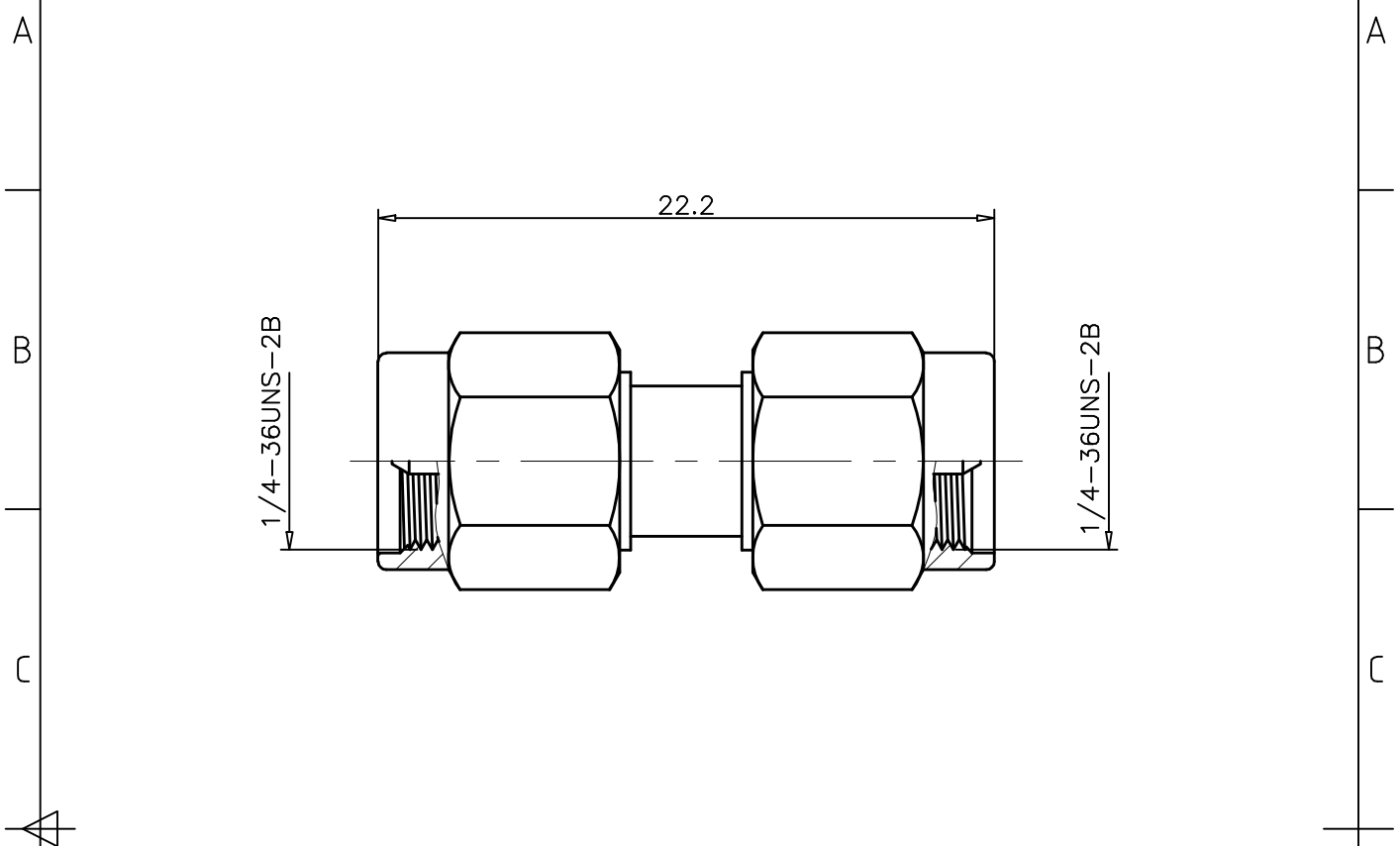


1	2	3	4
RevNo	Revision note	Date	Signature
00	Sketch Only	7/1/14	Teresa
			Checked
			Simon



- Material & Finishing:
1. Center conductor: Brass, Gold Plating
 2. Insulators: PTFE
 3. Body : Brass, Gold Plating
 4. Gasket: Silicone Rubber
 5. Coupling Nut: Brass, Gold Plating
 6. Snap Ring: Beryllium

RoHS Compliant.

ALL DIMENSIONS ARE IN MILLIMETERS AND [INCHES]

Title
2.92mm male to male

KERUI ELECTRONIC CO;LTD

THESE DRAWING & SPEC. ARE THE PROPERTY OF KERUI ELECTRONIC CO;LTD AND SHALL NOT BE REPRODUCED, OR COPIED OR USED AS THE BASIS FOR THE MANUFACTURE OR SALE OF APPARATUS OR DEVICES WITHOUT THEIR EXPRESS WRITTEN CONSENT.

UNLESS OTHERWISE NOTED ALL SURFACES FINISHED TO 64/MAX.
ALL TOLERANCES ARE:
DECIMALS FRACTIONS ANGLES
x ± 1.0 ±1/64 x' ± 1'
x.x ± 0.5 x'x' ± 0.5'
x.xx ± 0.1

Drawn by Teresa	Ckd by Simon	Appd by Richard	Date 7/1/2014
Scale 4:1	Sheet 1 of 1	A1919 11 1111 01	